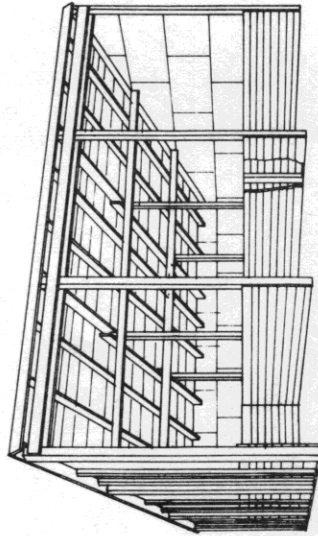


FLOOR PLAN



SCALE



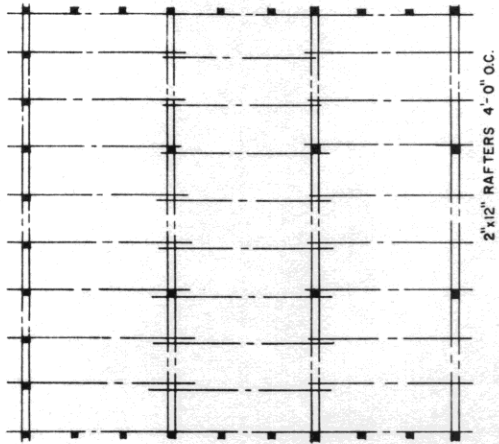
PERSPECTIVE

COOPERATIVE EXTENSION SERVICE
AGRICULTURE AND HOME ECONOMICS

AND
UNITED STATES DEPARTMENT OF AGRICULTURE COOPERATING
**LARGE CAPACITY BULK
FEED STORAGE BIN**

PENN '84 6364 SHEET 1 OF 1

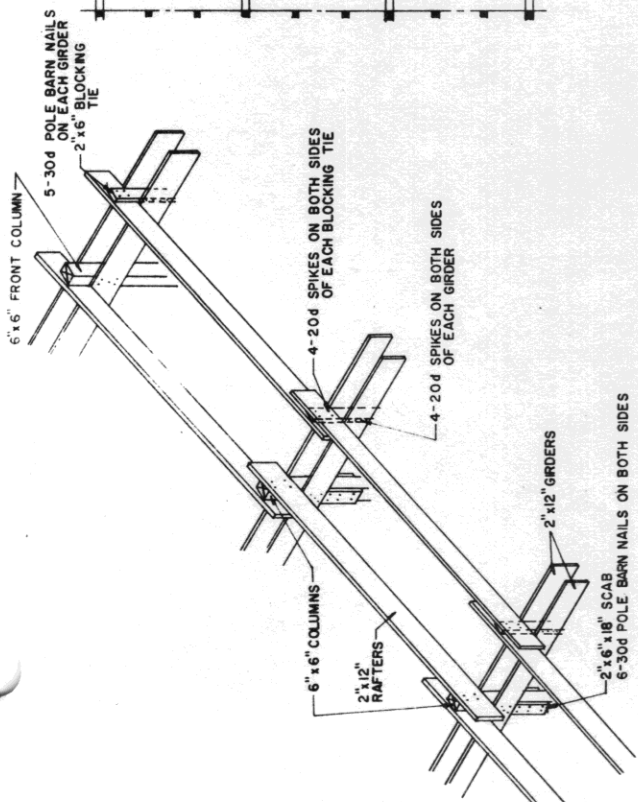
- NOTES:
1. DESIGN ROOF LOAD 30 psf.
 2. LUMBER BENDING STRESS
 $f_b = 1200$ psi.
 3. BULK MATERIAL CAPACITY 4000 lb/ft.
 4. ALL COLUMNS IN EARTH TO BE PRESSURE PRESERVATIVE TREATED HARDWOOD.
 5. ALL PLANKING TO BE ROUGH SAWN HARDWOOD.
 6. CHECK DIMENSIONS BEFORE CONSTRUCTION.



RAFTER LAYOUT



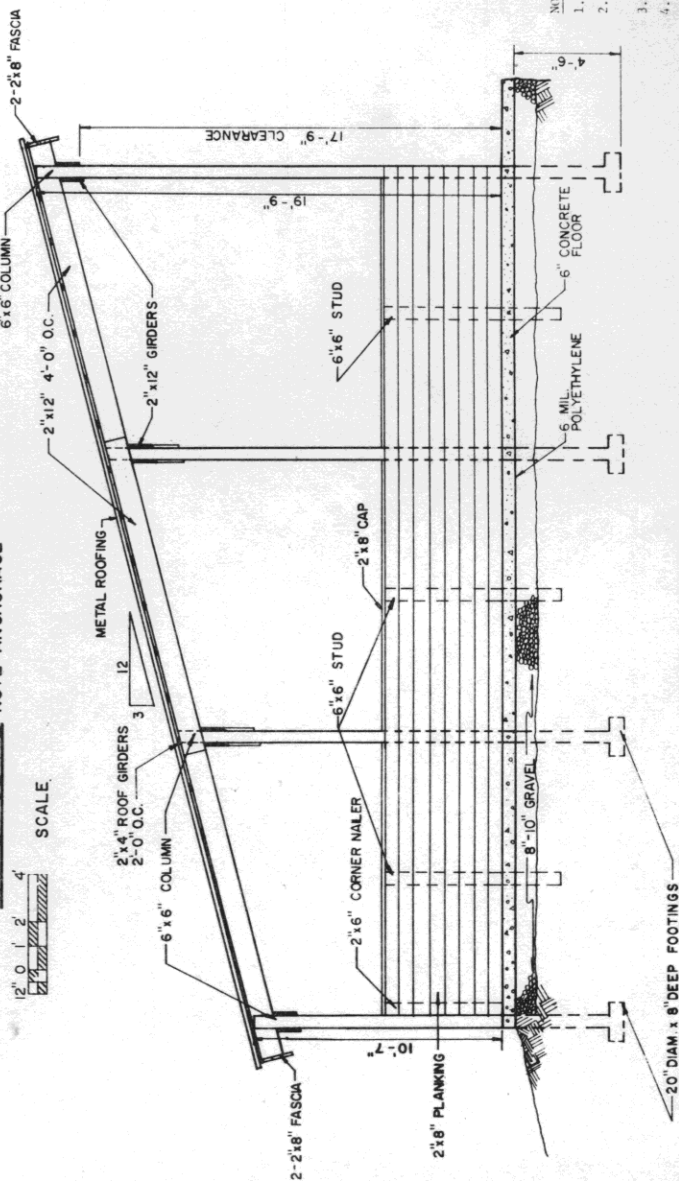
SCALE



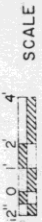
RAFTER DETAIL NOTE ANCHORAGE



SCALE



CROSS SECTION



SCALE